

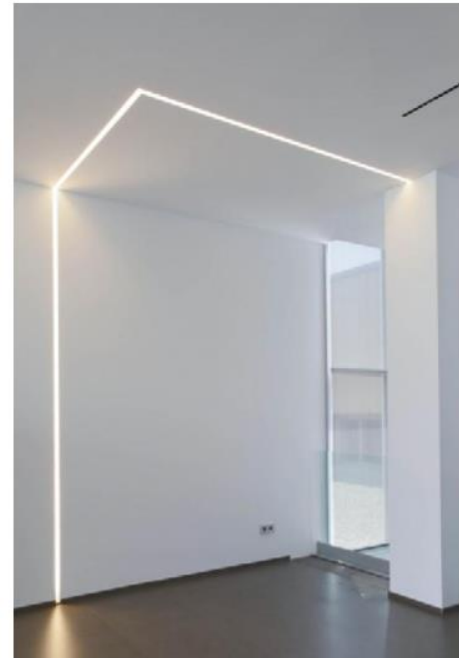
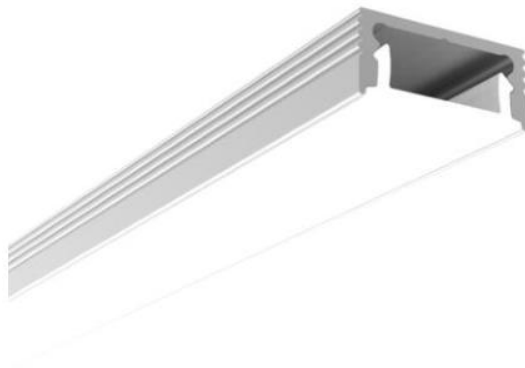


SPEC SHEET: WAVELUX LOW PROFILE ALUMINUM LIGHT BAR

Wavelux Low Profile Light Bar is a special auxiliary lighting system that can be used for a wide range of applications. Its high end appearance makes it beautiful to view, but spot free appearance keeps it easy on the eyes. The keyed channel allows the bar to slide easily into place and keeps a snug fit without any special tools required. Standard length is 1M however custom lengths up to 2.5M lengths are available. Please contact for more information.

Size	SKU	Color	Voltage	Brightness	Consumption	RATING
16 x 7mm	WAC001	Cool White (5000K)	24V DC	700 Lumens/m	12w/m	IP20
16 x 7mm	WAC002	Natural White (4000K)	24V DC	650 Lumens/m	12w/m	IP20
16 x 7mm	WAC003	Warm White (2700K)	24V DC	600 Lumens/m	12w/m	IP20

STRUCTURAL DIAGRAM:

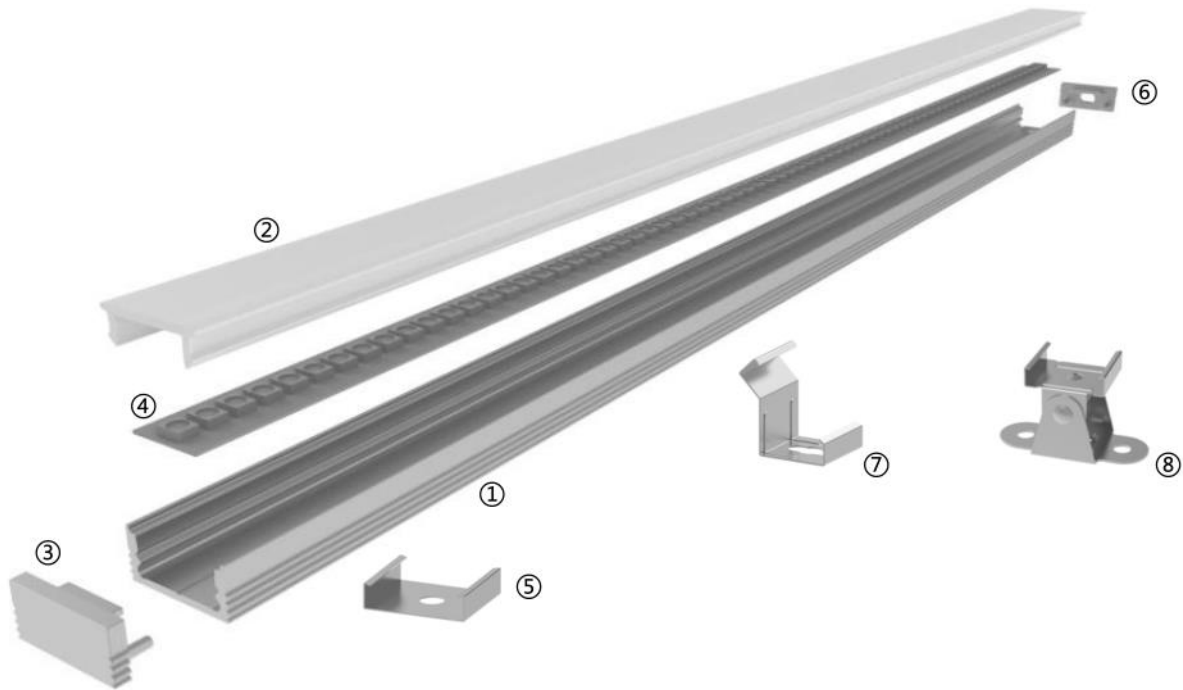


Product Features:

- 114° Light Angle Illumination
- Indoor Rated Light
- Can be Easily Affixed to a Range of Surface Types
With Included Mounting Clips
- Pixel Diffusion to Eliminate Hot Spots and Shadowing
- High Quality LED Chipset (>90 CRI)



DIAGRAM

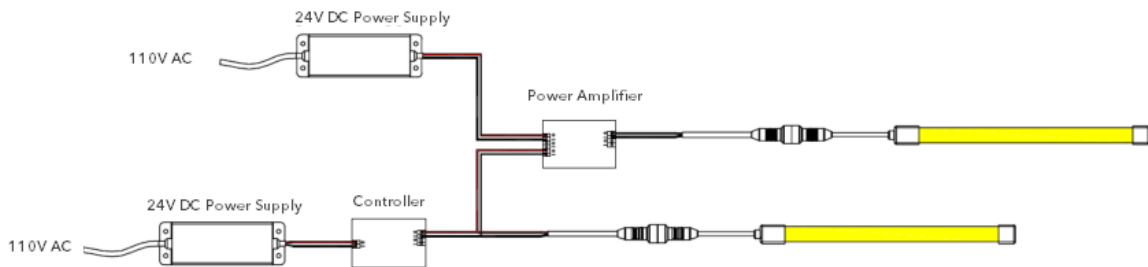


WIRING DIAGRAM

NON-DIMMABLE

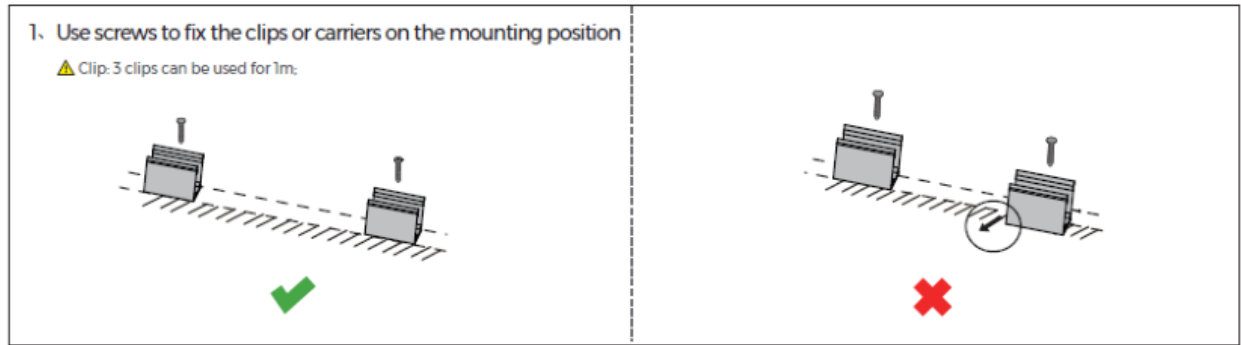


DIMMABLE



INSTALLATION INSTRUCTIONS

Using mounting clips - Make sure the mounting clips are on the same plane to ensure aluminum channel fits securely in place.



FAQ

Can Aluminum Light Bar be cut?

We recommend not cutting the product for best results. If a shorter length is required, we would recommend to contact us for a factor cut product.

PRECAUTIONS

- Use 24V DC Isolated Power Supply to drive Pixel-Free LED and the confirm ripple wave of constant voltage source is less than 5%. Do not use RC Voltage reduction or non-isolated power supply to drive LED Strip.
- In order to guarantee sufficient voltage is available to drive LED Strip in all conditions, make sure power supply is rated for 20% more than LED Strip consumption.
- Do not touch AC Power Supply when powered on
- Polarity Matters! Make sure to wire positive and negative poles of wires during installation to avoid damage to the strip.
- Avoid scratching, distorting, and repeated bending of product during installation. Not following this can cause irreparable damage to strip.
- Product is not intended to be submerged and used in swimming pools or hot tubs
- Professional installation recommended